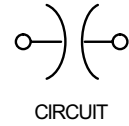
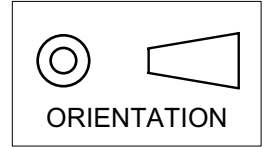


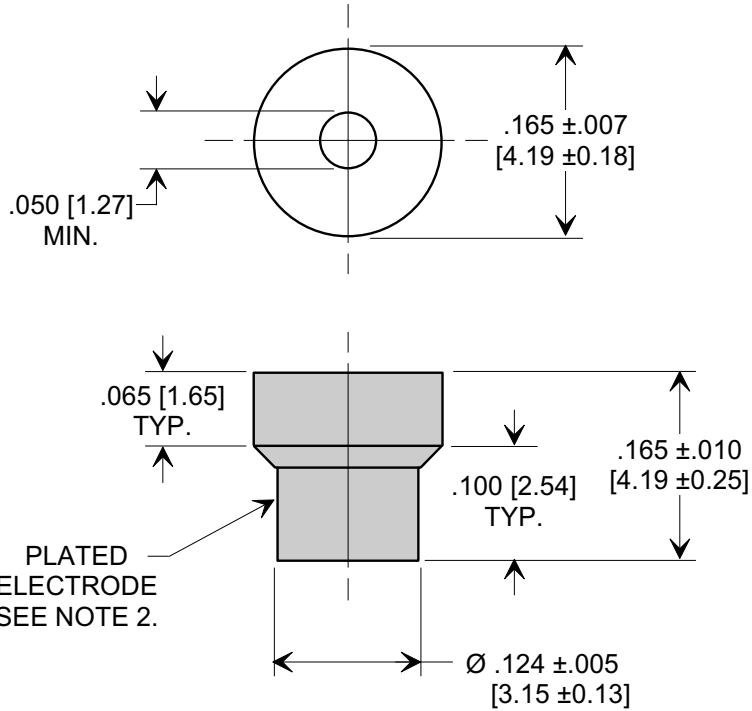
**MARKETING SALES DRAWING**

**DIMENSIONS IN INCHES - DO NOT SCALE THIS DRAWING**  
**DIMENSIONS IN METRIC - [ ]**

This drawing is the property of Tusonix, Inc., and may not be used, reproduced, published or disclosed to others without expressed authorization by Tusonix Inc.



**Electrical Testing**  
**per Tusonix standard**  
**test plans and Mil-Std-202**  
**Test Methods.**



**OPERATING INFORMATION**

STYLE NO.	2461-000
VALUE	1000 pF
VALUE TOL.	+100 -0%
TEMP. COEF.	X7V
RATING	200VDC +85°C/ 100VDC @ +125°C
OPERATING RANGE	-55°C,+125°C
DWV	600 VDC
I.R. MIN. @ .100 VDC	10 G Ω

**NOTES:**

- TUSONIX STANDARD PART NUMBER: 2461-000-X7V0-102P  
 TUSONIX RoHS COMPLIANT PART NUMBER:  
 2461-000-X7V0-102P LF  
 CUSTOMER MUST SPECIFY STANDARD OR RoHS PART NUMBER WHEN ORDERING.
- ELECTRODE FINISH: STANDARD PART #: 60/40 SOLDER PLATED.  
 RoHS PART #: MATTE TIN PLATED.
- PART MARKING: STANDARD PART: NO MARKING.  
 RoHS PART: MARKING ON PACKAGING ONLY.

X-2015 Rev-0

REVISION RECORD Original Release C.O. 20060330-2-01 ADDED NOTES: S.M. 04-19-06 20060417-4-02 REVISED RATING: S.M. 08-01-06 20060728-4-07	--TOLERANCES-- Unless Otherwise Specified	Title <b>SHOULDER FEED-THRU</b>	
	DECIMAL ± .015 [0.38]		
	ANGLES ±	Drawn S.M. 03-30-06	Scale 6 X
	<b>TUSONIX</b> TUCSON, ARIZONA	Approved T.C. 03-30-06	